

Canon

Lens Accessory

镜头配件

SUP-NP2 S

Lens Supporter

镜头支架

取扱説明書

OPERATION MANUAL

使用说明书

ご使用の前に必ずこの取扱説明書をお読みください。

なお、取扱説明書は必要に応じてご覧になれるように大切に保管してください。

Read this operation manual before using the product.

Keep the manual in place for future reference.

在使用本产品之前，请务必先仔细阅读本使用说明书。

请务必妥善保管好本书，以便日后能随时查阅（保留备用）。


请在充分理解内容的基础上，正确使用。

J/E/C

Forward

Thank you for purchasing the SUP-NP2 S lens supporter. This manual describes the SUP-NP2 S supporter functions, operating procedures, and cautions regarding use. Read this manual carefully before use and keep it accessible for reference when necessary.

CONTENTS

| | |
|---|----|
|  GENERAL SAFETY INFORMATION..... | 21 |
| 1. CONFIGURATION..... | 24 |
| 2. INSTALLATION AND OPERATION | 25 |
| 2-1. Installing the Supporter and Lens on the Camera Head..... | 25 |
| 2-2. Setting the Camera on the Supporter | 28 |
| 2-3. Connecting an External Power Supply | 32 |
| 2-4. Removing the Camera from the Supporter | 33 |
| INDEX..... | 34 |
| TECHNICAL DOCUMENTS: EXTERNAL VIEW, WIRING DIAGRAM | 55 |





GENERAL SAFETY INFORMATION

The safety warnings and cautions provided on the product or in this operation manual must be observed. Failure to observe warnings and cautions provided to guard against hazards may result in injury or accident. Read this operation manual carefully to familiarize yourself with its contents and ensure that you can operate the product properly.

Also, store this manual in a safe place where it can easily be referenced whenever required.

This operation manual uses the following symbols and terms to identify hazards to protect you and others by aiming to prevent the occurrence of accidents.

| | |
|---|--|
|  WARNING | Indicates a potentially hazardous situation which, if not heeded, may result in death or serious injury to you or others. Be sure to heed all warning notices to ensure safe operation at all times. |
|  CAUTION | Indicates hazardous situations which, if not heeded, may result in minor or moderate injury to you or other persons, or damages to your property. |
| ※ (NOTE) | Emphasizes essential information which, if not heeded, may render the product unworkable or cause it to function improperly. Also, provides helpful information for operation. |

HANDLING THE PRODUCT



WARNING

1. Never attempt to connect or disconnect the plug with wet hands. Doing so presents a serious electric shock hazard.



CAUTION

1. Always grasp the connector portion when connecting or disconnecting the connector cable. Pulling on the cable may result in damage to the cable, such as breakage of the conductors. Power leaking from a damaged connector cable may present a fire or electric shock hazard.
2. Do not drop a supporter, when transporting the supporter. The supporter may fall, possibly causing injury.
3. Inspect periodically (about, every 6 months to 1 year) to make sure that all mountings are securely tightened, and tighten any loose portions. Otherwise, the lens and/or supporter may fall, possibly causing injury.

※ (NOTE)

1. Protect the supporter from strong impacts or shocks. Striking or dropping the supporter may result in malfunction.

DEALING WITH ABNORMALITIES



WARNING

1. Should any of the abnormalities described below occur, remove the supporter and then contact Canon's representative or the dealer from whom you bought the supporter.
 - Smoke, abnormal smell or abnormal noise
 - Entry of foreign objects (liquids, etc.) inside the connector cable.

MAINTENANCE AND INSPECTION



WARNING

1. Remove the lens and camera from the supporter before attempting to clean the supporter exterior. Never use flammable substances such as benzene or thinner for cleaning, as these may present a fire or electric shock hazard.

※ (NOTE)

1. Periodic inspection
A periodic inspection (about once a year) is recommended.
The inspection and maintenance interval depends on the operating conditions, frequency of use, and the environment. If required, overhaul the product.

TO THE CUSTOMER

1. Canon shall bear no responsibility for damage resulting from improper operation of this product by the customer.
2. Canon shall make no guarantees about the product quality, functions, or operation manual and its marketability and suitability for the customer's purpose.
Moreover, Canon shall bear no responsibility for any damage, direct or incidental, that results from usage for the customer's purpose.
3. Canon shall make no guarantees about the results obtained using this product.
4. The product specifications, configuration, and appearance are subject to change without prior notice.
5. For further information on repairs, maintenance, or adjustments not mentioned in this operation manual, contact your Canon dealer or your Canon sales representative.
6. Note that Canon may be unable to undertake servicing or repair of a product if it is modified without consulting Canon or your Canon sales representative.

CANON INC.

30-2, Shimomaruko 3-chome, Ohta-ku, Tokyo 146-8501, Japan

Canon Europe Ltd

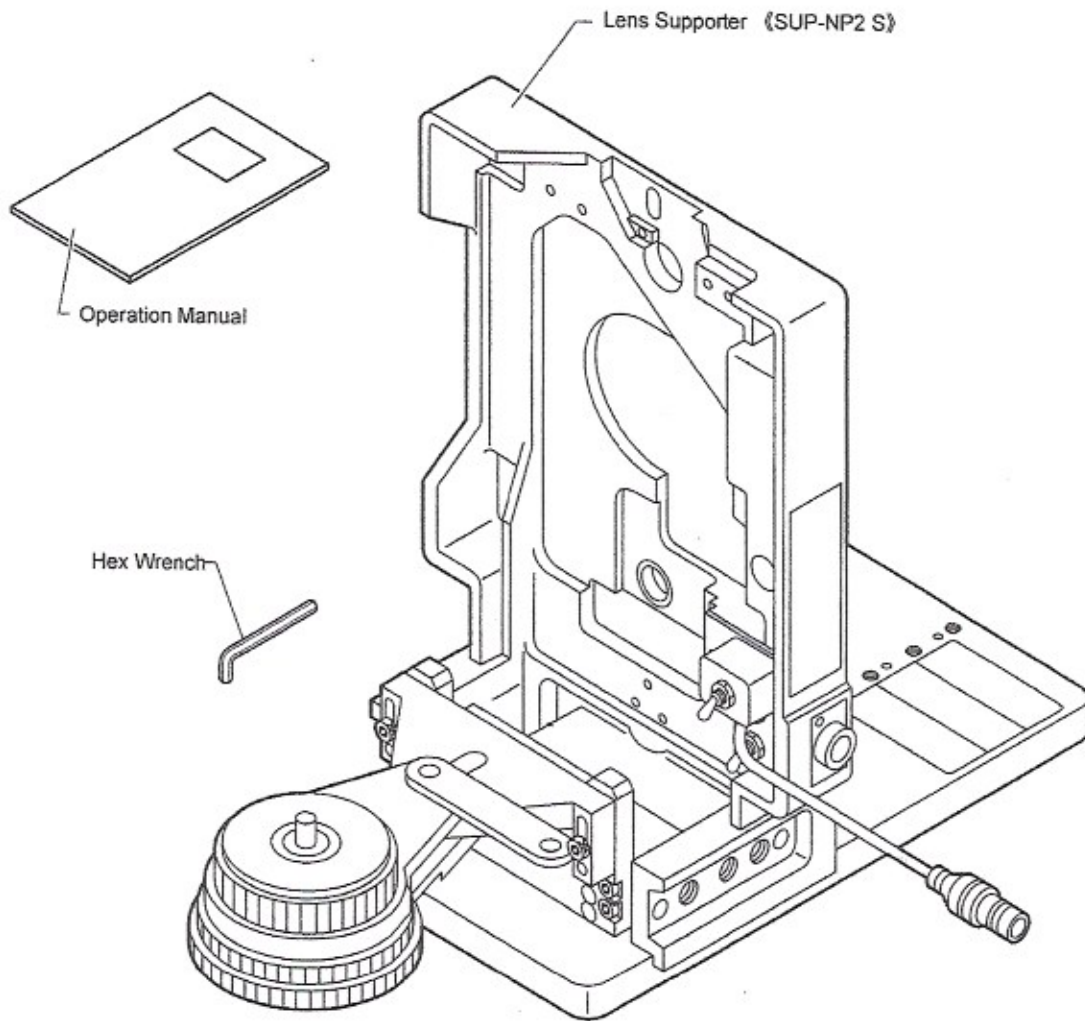
3 The Square, Stockley Park, Uxbridge, Middlesex, UB11 1ET UK

All rights reserved. No part of this operation manual may be reproduced or copied in any form or by any means without the written permission of Canon Inc.

1. CONFIGURATION

Before starting to use the lens supporter, make sure that the package contains the items listed below.
(If you find anything missing, please contact the dealer from whom you bought the supporter.)

| Unit name | Q'ty |
|--|------|
| Lens Supporter <SUP-NP2 S> | 1 |
| Hex Wrench (usually inserted in the supporter) | 1 |
| Operation Manual (this manual) | 1 |



※ (NOTE): Cautions for storing the lens supporter

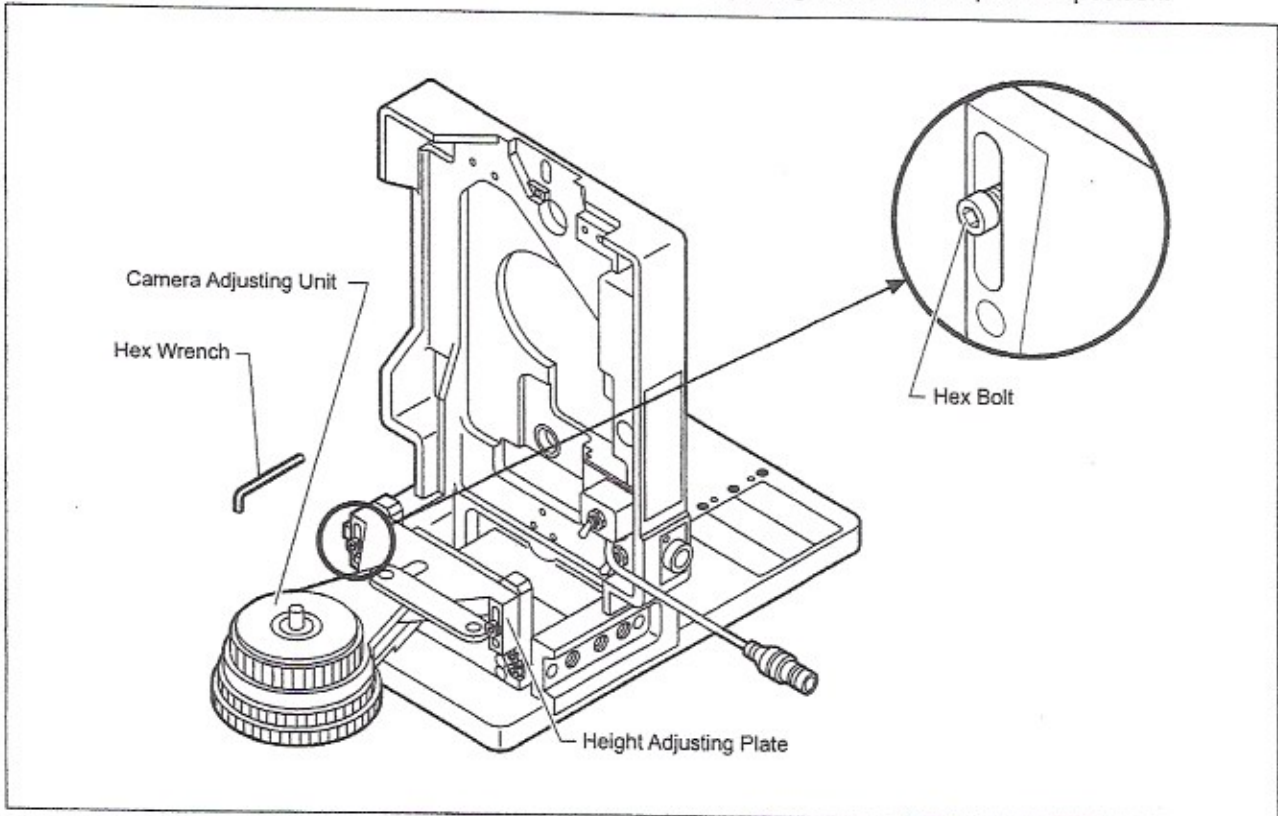
1. Store the supporter at room temperature.
2. Avoid places where the supporter is subjected to strong shocks and vibration.

2. INSTALLATION AND OPERATION

2-1. Installing the Supporter and Lens on the Camera Head

Follow the steps described below to install the supporter.

1. Make sure that the camera adjusting unit is fixed in the specified position by aligning the optical axis of a camera. If it is not in the specified position, use the hex wrench provided with the unit to remove the hex bolts (two or four) holding the camera adjusting unit and height adjustment plate together. Reattach the bolts so that the camera adjusting unit is in the specified position.



※ (NOTE): The thickness of the tripod adapter may vary depending on the manufacturer. In addition, the distance between the bottom surface of the camera system and the camera optical axis position may not match when you attach a same camera. In such cases, adjust and check the position before setting the camera on the supporter.

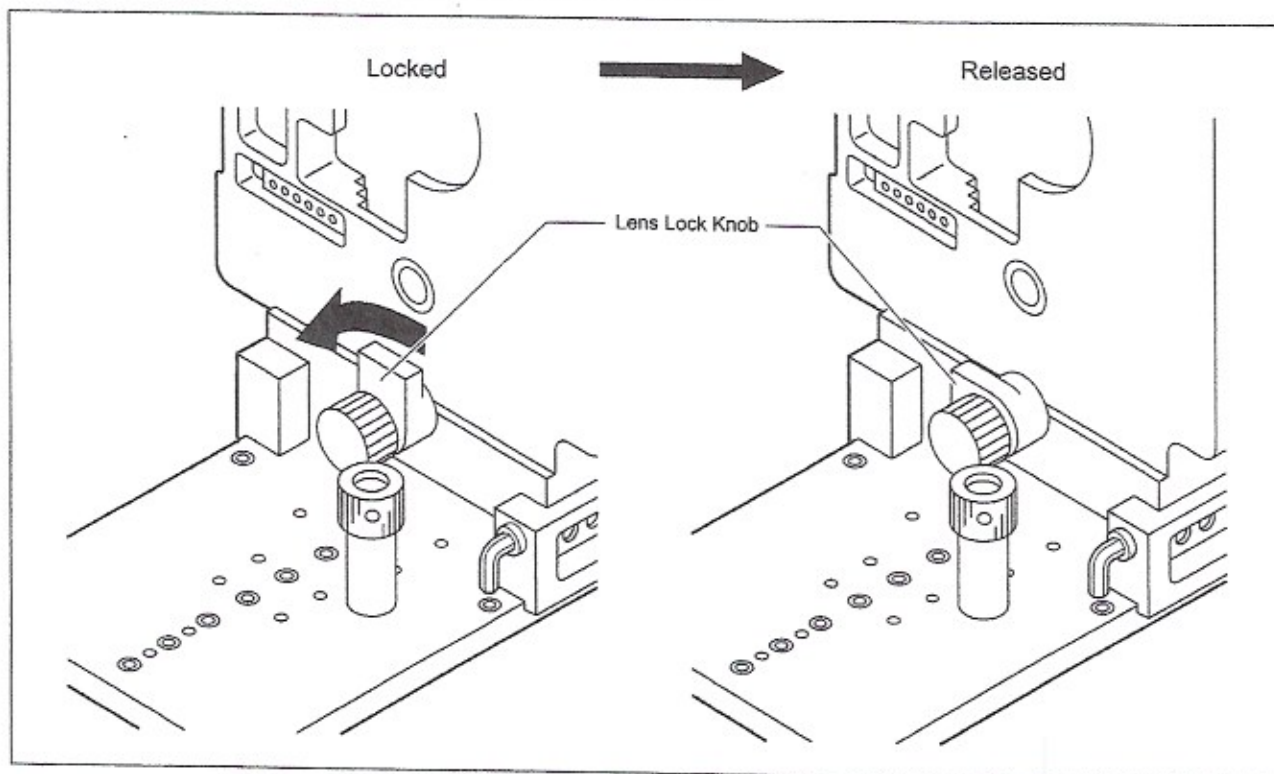
2. Make sure the camera head pan and tilt mechanisms are locked. Then set the supporter on the camera head and fix it in place.



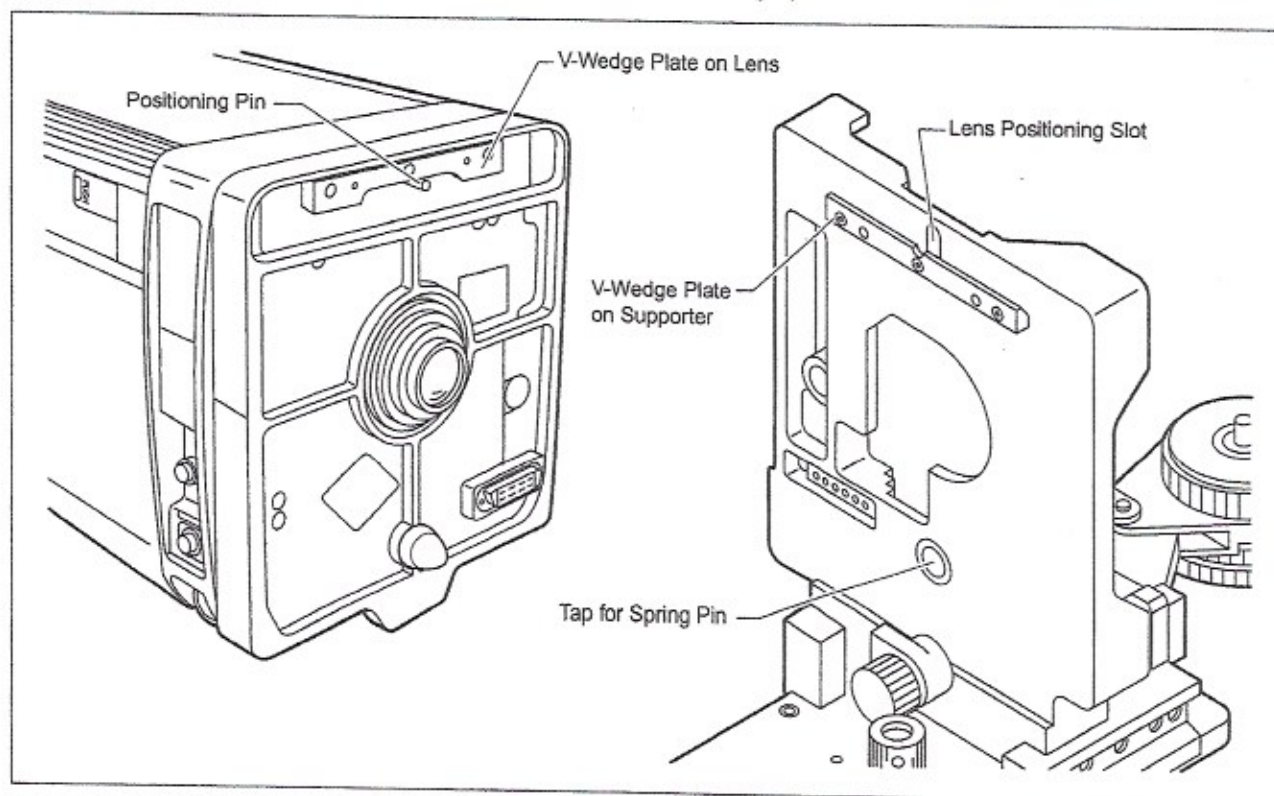
CAUTION: Carefully read the manuals provided with components such as the tripod or pedestal. Before installing the supporter, make sure you thoroughly understand the procedures for locking and unlocking the pan and tilt mechanisms, and for fixing the male V-wedge to the camera head.

If the supporter and lens or the camera is attached without locking the pan and tilt mechanisms on the camera head, the supporter and lens or the camera may fall, possibly causing injury. Therefore the pan and tilt mechanisms must be locked before proceeding.

3. Rotate the lens lock knob 90 degrees in the direction of the arrow to a position (released) where the lens unit can be detached from the supporter.

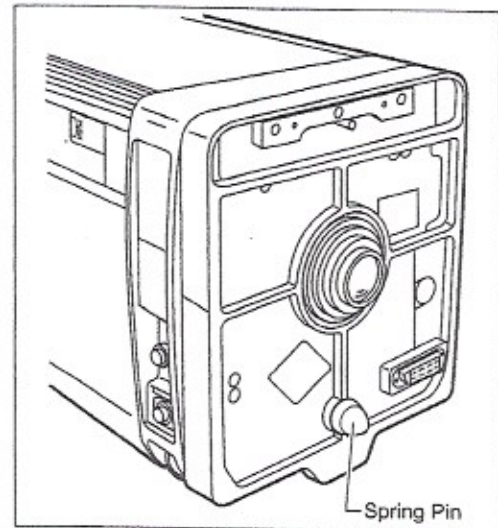


4. Next, hold the lens unit with both hands and mount it by aligning the V-wedge plate on the supporter to the V-wedge plate on the lens unit, and the positioning pin on the lens mount surface to the lens positioning slot above the supporter wedge plate.

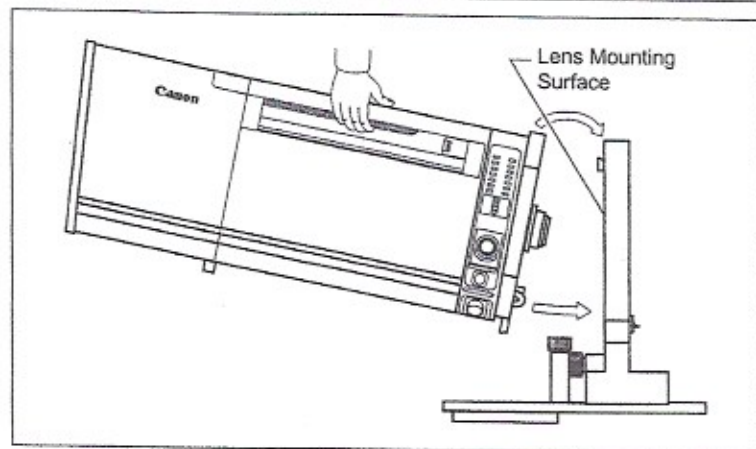


※ (NOTE): Lens units are quite heavy. When handling a lens unit, hold the handles on both sides of the lens cover with both hands and carry it in a suitable posture.

5. Make sure the spring pin, which is located at the bottom of the lens mount surface, correctly matches the opposing hole on the supporter.



6. Next press the lens closely against the lens mount surface, then turn the lens lock knob (See the diagram at the top of page 26) to fix the lens to the supporter.

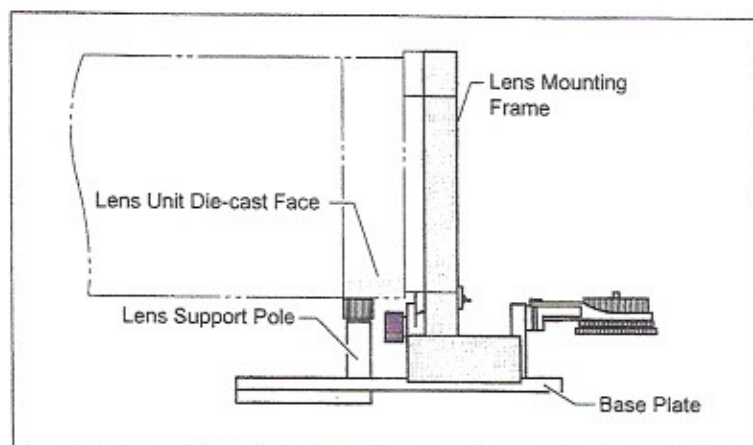


※ (NOTE): The connectors between the lens and the supporter are automatically connected when Steps 5 and 6 are performed. If the check described in Step 5 is skipped and the lens is forcefully attached, the lens-side connector or the supporter-side connector may be damaged.

7. After the installation process is completed, make sure the following two conditions are satisfied:

- The lens support pole should be at a position where it is in contact with the die-cast face of the lens.
- The lens mounting frame should be perpendicular to the base plate.

If these two conditions are not satisfied when the lens is attached, immediately remove the lens and contact the dealer from whom you bought the supporter or Canon Inc.



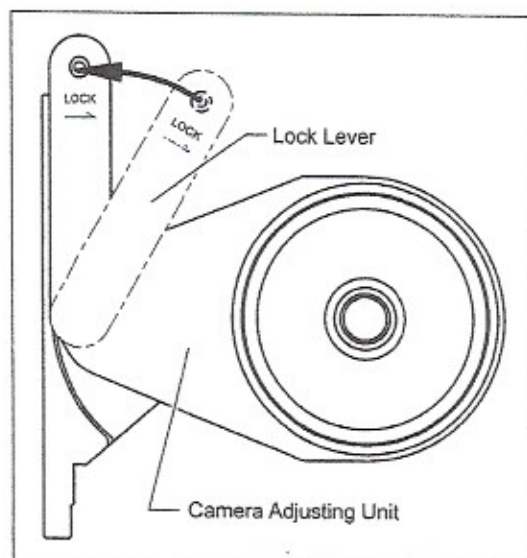
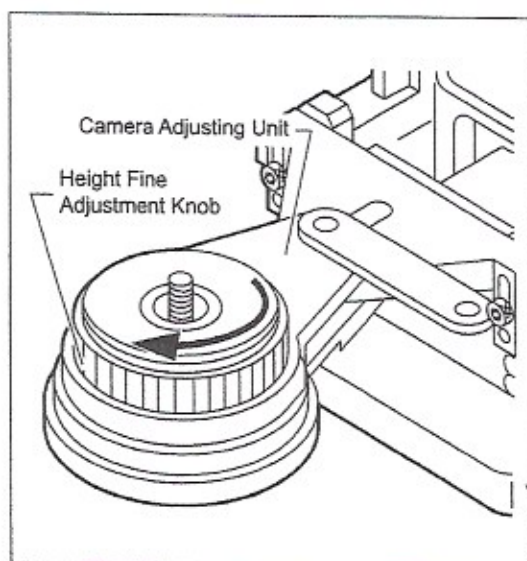
※ (NOTE): The lens supporter pole position and height are adjusted at the factory before shipping, and must be readjusted if the conditions checked in Step 7 (lens support pole in contact with the die-cast face of the lens; lens mounting frame perpendicular to the base plate) are not satisfied.

In such cases, immediately remove the lens from the supporter and contact the dealer from whom you bought the supporter or Canon Inc.

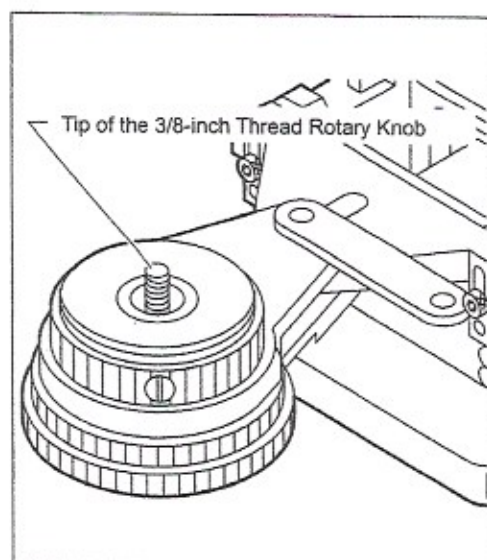
2-2. Setting the Camera on the Supporter

The procedure for setting the camera on the supporter is described below. Depending on the type of camera you use, the camera may not fit in place unless the camera adjusting unit is attached to the lens mounting frame at the specified position. Therefore, adjust the camera adjusting unit so as to make it easy to attach or remove the lens and camera mount.

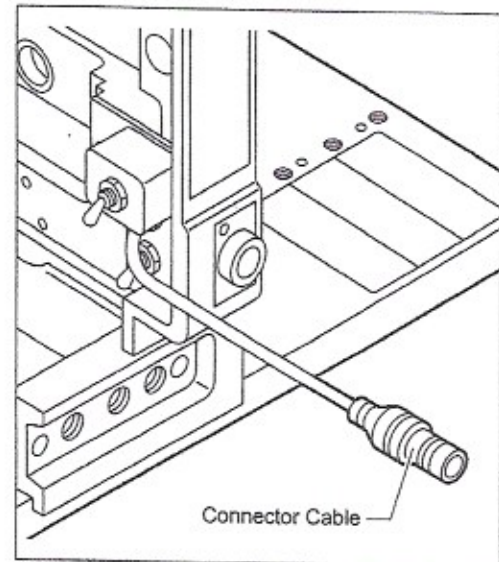
1. Turn the height fine adjustment knob and lock knob, which are built into in the camera adjusting unit, in the direction of the arrow until the knobs are locked. Next turn the lock lever locking the camera adjusting unit 30° to 45°, allowing the unit to move freely.



2. Align the screw at the tip of the 3/8-inch thread rotary knob with the tripod screw hole in the tripod adapter (provided by the camera manufacturer). Then tighten the screw to mount the tripod adapter.

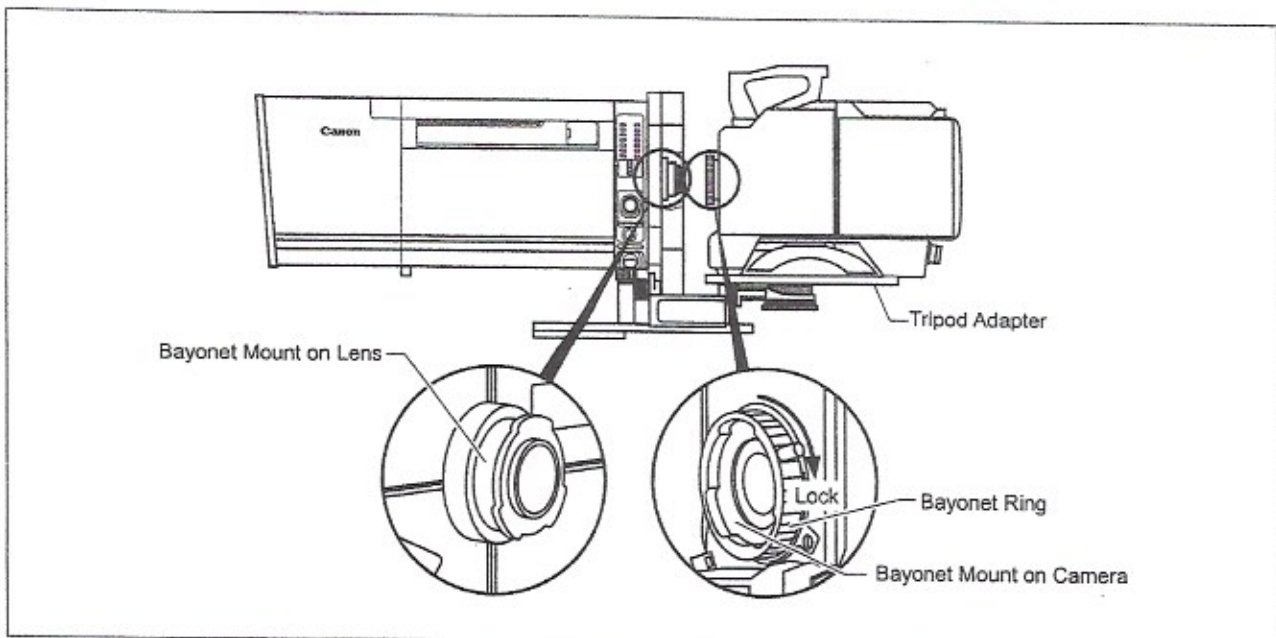


3. Connect the connector cable from the supporter to the lens connector on the camera head, then fix the camera to the tripod adapter.



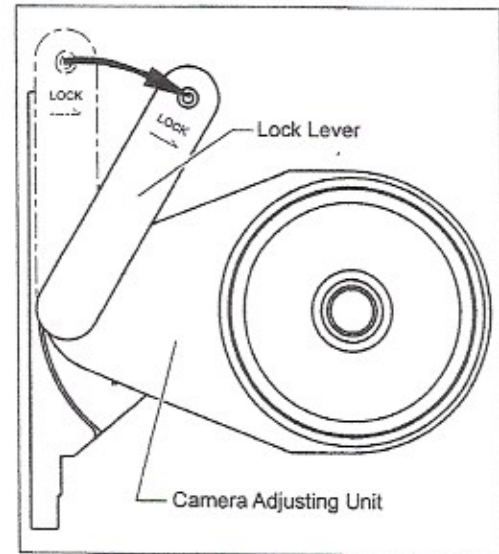
- ※(NOTE):
1. If Steps 2 and 3 are performed in reverse order, it will be difficult to connect the connector due to the gap between the supporter and the camera. Therefore Steps 2 and 3 should be performed in the presented order.
 2. See your camera's operation manual for information on fixing the camera to the tripod adapter.
 3. If the tip of the tripod adapter interferes with the lens mounting frame and cannot be attached directly, reverse the tripod adapter ends and try again. In this case, also switch the two V-block ends which are attached to the bottom of the camera head.

4. Lift the camera head and align the bayonet mount on the front of the camera with the bayonet mount on the lens. Then press the camera toward the front and turn the bayonet ring in the direction of the arrow to fix the camera head to the lens.

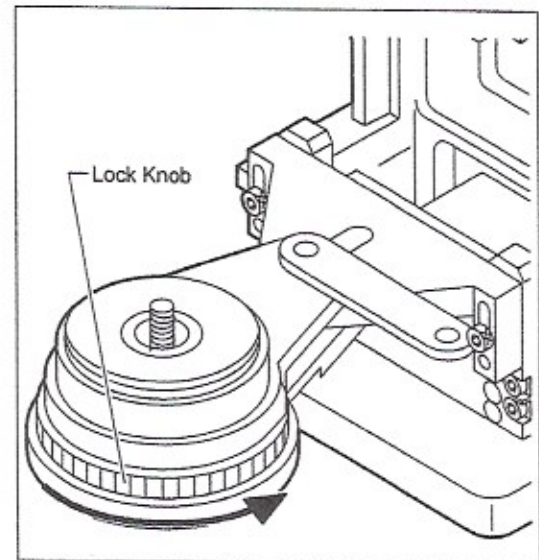
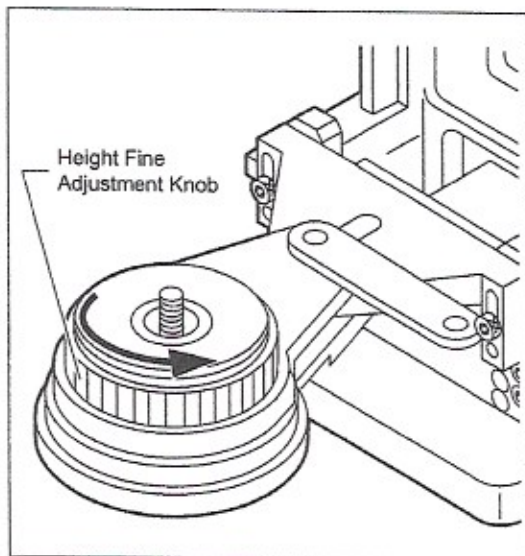


- ※(NOTE): When the camera head is lifted, the tripod adapter and camera adjusting unit which are already fixed to the camera head are also lifted. This is important to note as there is a limit on distance which it can be moved.

5. Next turn the lock lever of the camera adjusting unit in the direction of the arrow to lock the camera adjusting unit.



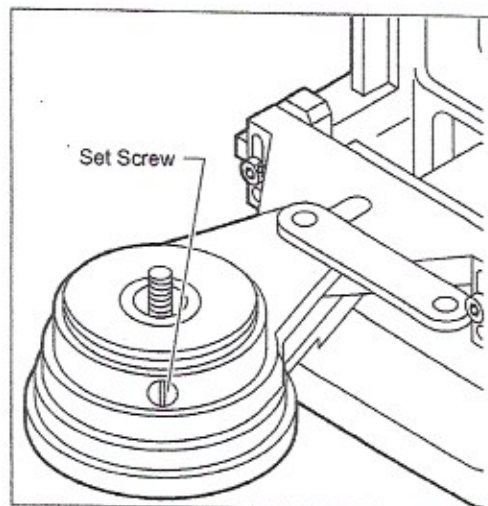
6. With the camera head lifted, turn the height fine adjustment knob in the direction of the arrow to close the gap between the top of the knob and the bottom of the tripod adapter. Then turn the lock knob which fixes the tip of the 3/8-inch thread rotary knob in the direction of the arrow to fix the lock knob.



※ (NOTE): When turning the height fine adjustment knob to fix the camera adjusting unit, make sure that a balance is maintained so that the tripod adapter stays parallel with the bottom of the camera system. Otherwise, the lens-side and camera-side bayonet mount may not be correctly attached, making it impossible to turn the bayonet ring.

7. Let go of the camera head and make sure that the bayonet ring on the camera mount can be turned smoothly. If it does not turn smoothly, the camera is not properly attached to the lens. Turn the height fine adjustment knob clockwise to adjust the camera height so that the bayonet ring on the camera mount turns smoothly.

8. There are two set screws around the circumference of the height fine adjustment knob. Tighten at least one of these set screws.



9. Setting the SERIAL/NORMAL change-over switch

Make the following setting according to the operation method.

SERIAL : Serial communication is used. (An external power supply is necessary.)

NORMAL : Serial communication is not used.

※ (NOTE): Set the SERIAL/NORMAL change-over switch before turning the camera ON.
If it is changed after the camera power is ON, serial communication is not performed correctly.

10. Setting the POWER SOURCE change-over switch

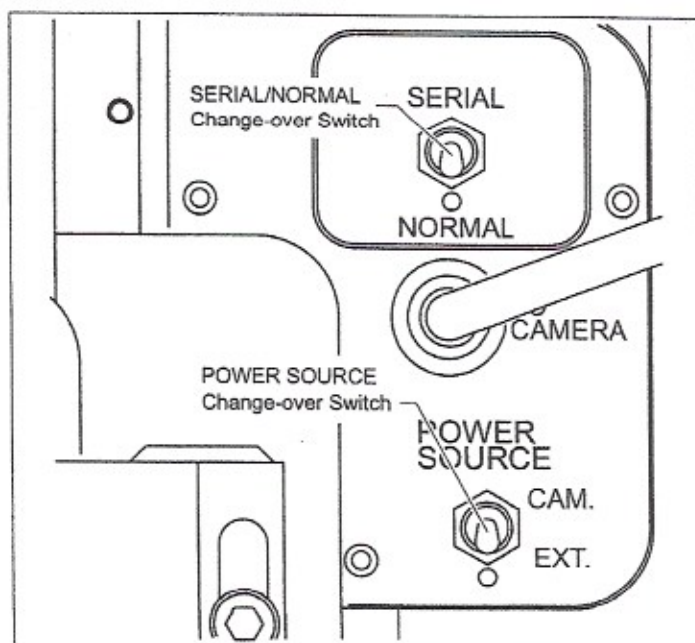
Make the following setting according to the operation method.

CAM. : Select this only for the iris/IE control on power supplied from the camera.

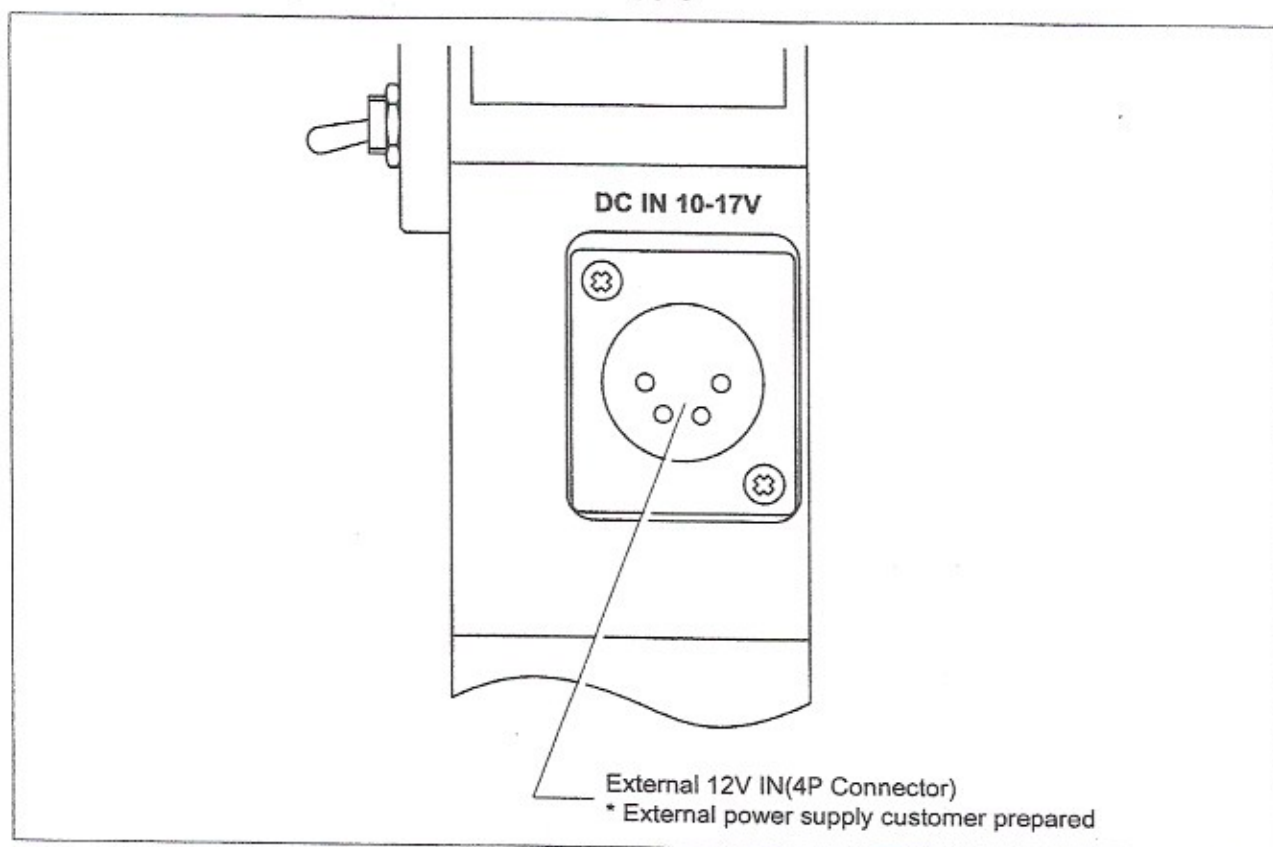
EXT. : Select this for the servo zoom/focus operation

If serial communication is used

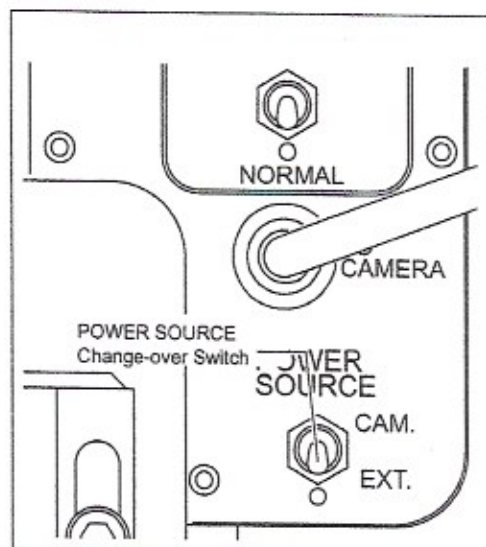
※ (NOTE): If the lens body is operated in servo or if serial communication is used, make sure that the POWER SOURCE change-over switch is set to the EXT. position and use the external power supply.



2-3. Connecting an External Power Supply



- Set the POWER SOURCE change-over switch on the supporter to the EXT. setting.



※ (NOTE): 1. Please prepare an external power supply to be attached on the side of the supporter. Please use an applicable plug for the following input connector on the supporter. (Refer to the diagram on page 56.)

The cable connected to the DC IN 10-17V connector has to be 1m or shorter.

[Connector for use]

Manufacturer: ITT Cannon

Maker type: XLR-4-32-F77

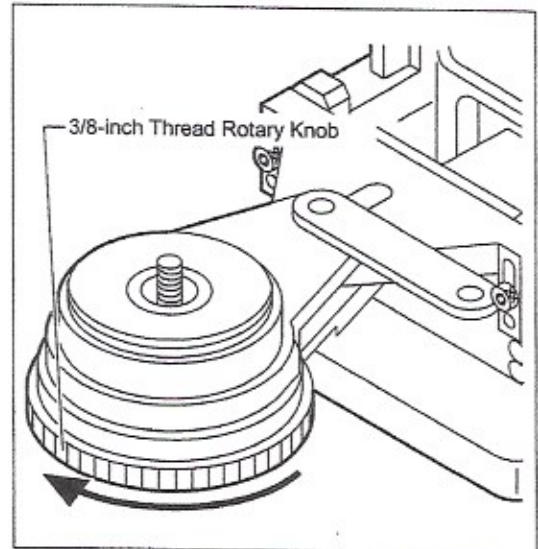
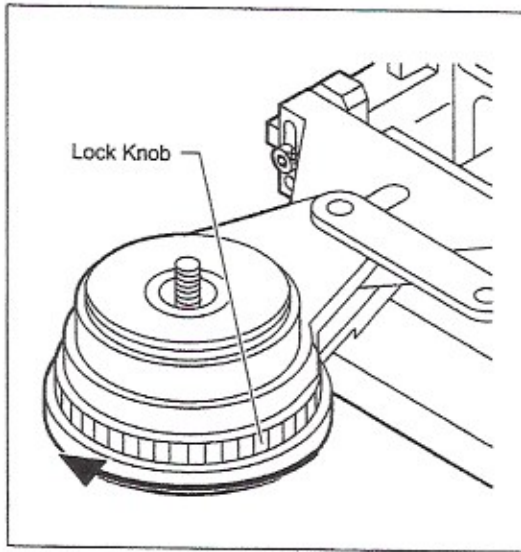
Canon part number: VS1-5094004

2. Use a conversion cable to attach a Canon power module or battery adapter you have purchased before. (Refer to the diagram on page 56.)

2-4. Removing the Camera from the Supporter

Follow the steps described below to remove the camera (including the tripod adapter) from the supporter after your camera system has been set up.

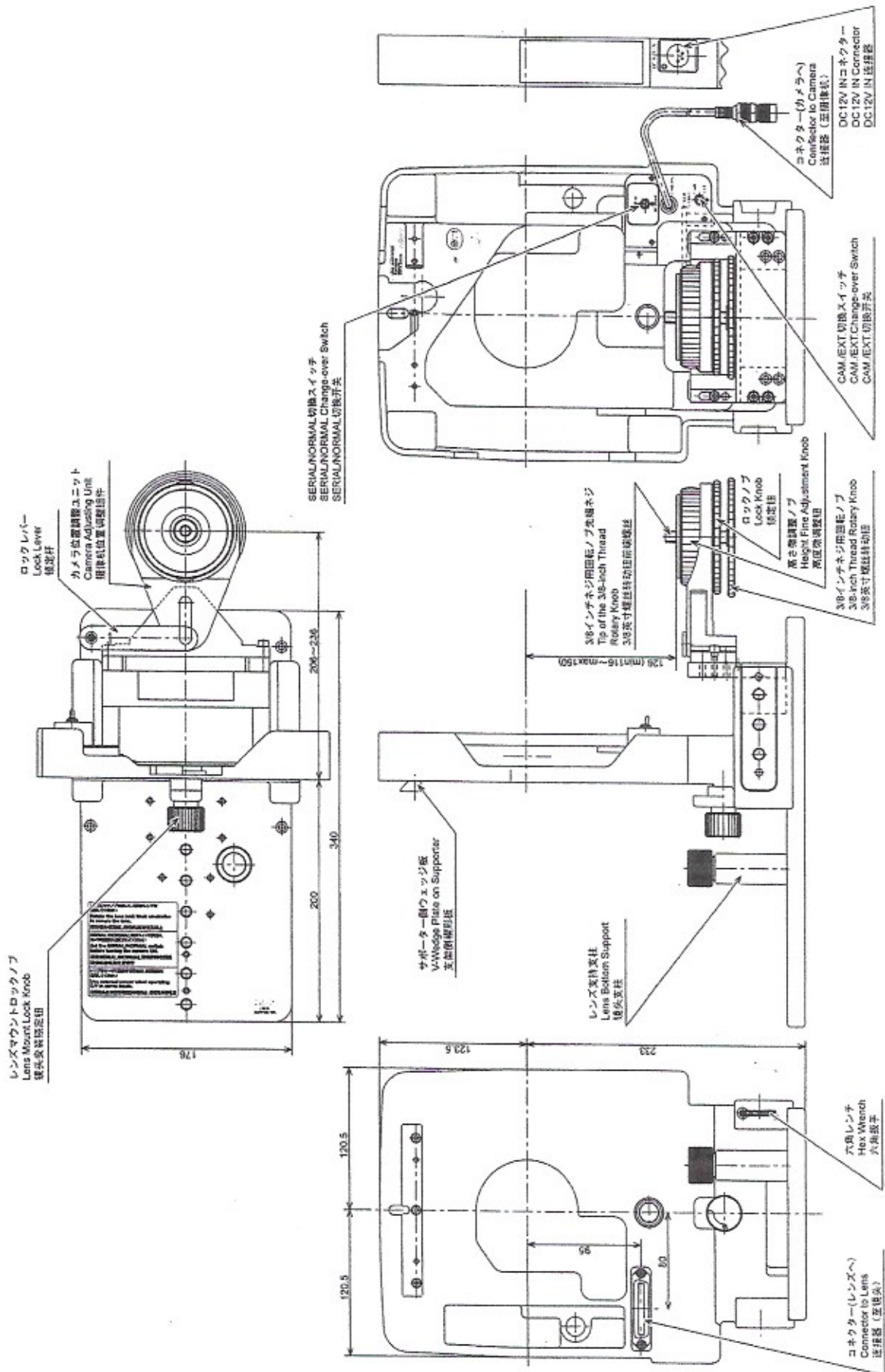
1. Turn the lock knob in the direction of the arrow to release the 3/8-inch thread rotary knob. Then turn the 3/8-inch thread rotary knob in the direction of the arrow to release the tripod adapter.
2. Next move the camera head slightly to the rear and remove the CN2 connector cable from the camera head. The camera, together with the tripod adapter, can now be removed from the supporter.



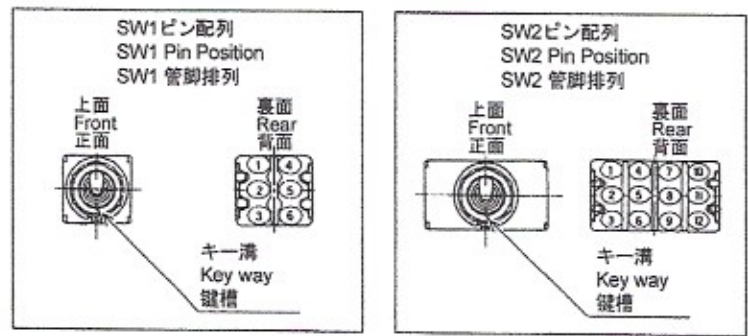
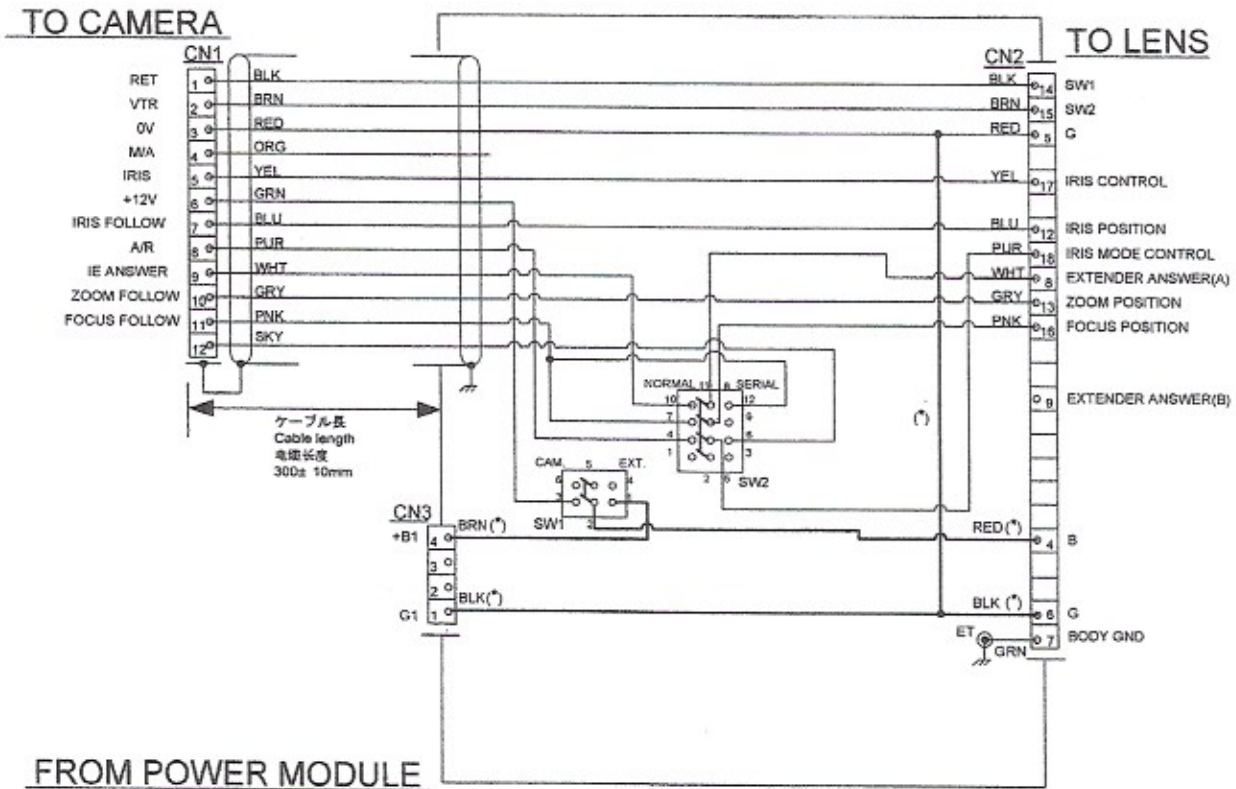
CAUTION: Before removing the camera and lens from the supporter, make sure the pan and tilt mechanisms on the camera head are locked. If these mechanisms are not locked, the camera and lens may fall, possibly damaging the lens or camera or injuring the user.

INDEX

| | |
|---------------------------------------|----|
| Bayonet | 29 |
| Connector Cable..... | 29 |
| Lens Lock Knob..... | 26 |
| Lens Support Pole..... | 27 |
| Power Module..... | 32 |
| POWER SOURCE Change-over Switch | 31 |
| Spring Pin..... | 27 |
| Tripod Adapter | 29 |



サポーター 《SUP-NP2 S》 外観図
 SUPPORTER 《SUP-NP2 S》 EXTERNAL VIEW
 支架 《SUP-NP2 S》 外观图



- * : KE1-2622(UL1571-24-AWG-11/0.16-NR-S-NON-PB)を使用すること。
- * : KE1-2622(UL1571-24-AWG-11/0.16-NR-S-NON-PB) are used.
- * : 需要使用KE1-2622(UL1571-24-AWG-11/0.16-NR-S-NON-PB)。

サポーター 《SUP-NP2 S》 結線図
 SUPPORTER 《SUP-NP2 S》 WIRING DIAGRAM
 支架 《SUP-NP2 S》 接线图

AMERICAS

- Canada _____ Canon Canada, Inc.
Broadcast and Communications Div.
6390 Dixie Road, Mississauga, Ontario, L5T 1P7, Canada
Tel:+1(905)795-2012 Fax:+1(905)795-2087
- Mexico _____ Canon Mexicana, S. de R.L. de C.V.
Call Center Div.
Blvd. Manuel Avila Camacho No,138,
Col. Lomas de Chapultepec, Mexico, D.F.
Tel:+52 55 5249 4905
- North & South America _____ Canon U.S.A., Inc.
ITCG METC
65 Challenger Road, Ridgefield Park, NJ, 07660
Tel:+1(800) 423-5367 (Toll Free) Fax:+1(201) 807-3344

ASIA

- Asia & Hong Kong, S.A.R. _____ Canon Hongkong Company Ltd.
ICP Marketing Div.
19/F, The Metropolis Tower, 10 Metropolis Drive,
Hungghom, Kowloon, Hong Kong
Tel:+852-3191-2333
- 中国 _____ 佳能(中国)有限公司
北京市东城区金宝街 89 号 金宝大厦 15 层
邮编 100005
电话:+86(0)10-8513-9999 传真:+86(0)10-8513-9915
- Korea _____ 캐논코리아 컨슈머 이미징(주)
사업개발팀
프로솔루션파트
서울특별시 강남구 테헤란로 607
135-881
대표전화:(82)2-2191-8500 팩스:(82)2-2191-8576
- South & Southeast Asia _____ Canon Singapore Pte. Ltd.
REG ICP Sales & Marketing Div.
1 HarbourFront Avenue, #04-01 Keppel Bay Tower
Singapore 098632
Tel:+65-6799-8888
- 日本 _____ キヤノンマーケティングジャパン株式会社
イメージングソリューション技術部
108-8011 東京都港区港南 2-16-6
Tel:(03) 3740-3305 Fax:(03) 3740-3307

EUROPE, MIDDLE EAST, AFRICA

- Europe/Africa/Middle East _____ Canon Europe Ltd.
Broadcast Products Div.
3 The Square, Stockley Park, Uxbridge, Middlesex, UB11
1ET UK
Tel:+44(0)20-8588-8140 Fax:+44(0)20-8588-8929

OCEANIA

- Oceania _____ Canon Australia Pty. Ltd.
CCI Div.
Building A, The Park Estate, 5 Talavera Road, Macquarie Park
NSW 2113, Australia
Tel:+61(0)2-9805-2000

Canon

キヤノン株式会社

〒146-8501 東京都大田区下丸子 3-30-2

仕様・外觀・商品構成などはお断りなく変更することがあります。

CANON INC.

30-2, Shimomaruko 3-chome, Ohta-ku, Tokyo 146-8501, Japan

Subject to change without notice.

进口商：佳能（中国）有限公司

地址：100005 北京市东城区金宝街 89 号 金宝大厦 15 层

规格・外观・商品构成等进行变更，恕不事先一一通知。

修订：2013.6.1

Pub.No. B-IM-30160A

0914S08

© 2013.06 CANON INC.

原产地：日本

PRINTED IN JAPAN